

2000 Series

The MPL 2000 series is a rugged and low-cost push button switch. It is suitable for a wide variety of switching applications such as indicating a door opening, detecting a device limit or switching off power when an appliance panel is removed.

Summary

Incorporating a robust snap action mechanism, the MPL 2000 series is rated for loads up to 3/4 HP and fine silver contacts ensure high reliability. At rest, the standard push button extends 0.875 inches from the mounting surface.

Applications

- Safety Interlock
- Door Switch
- Panel Switch
- Device Limit Switch

Features

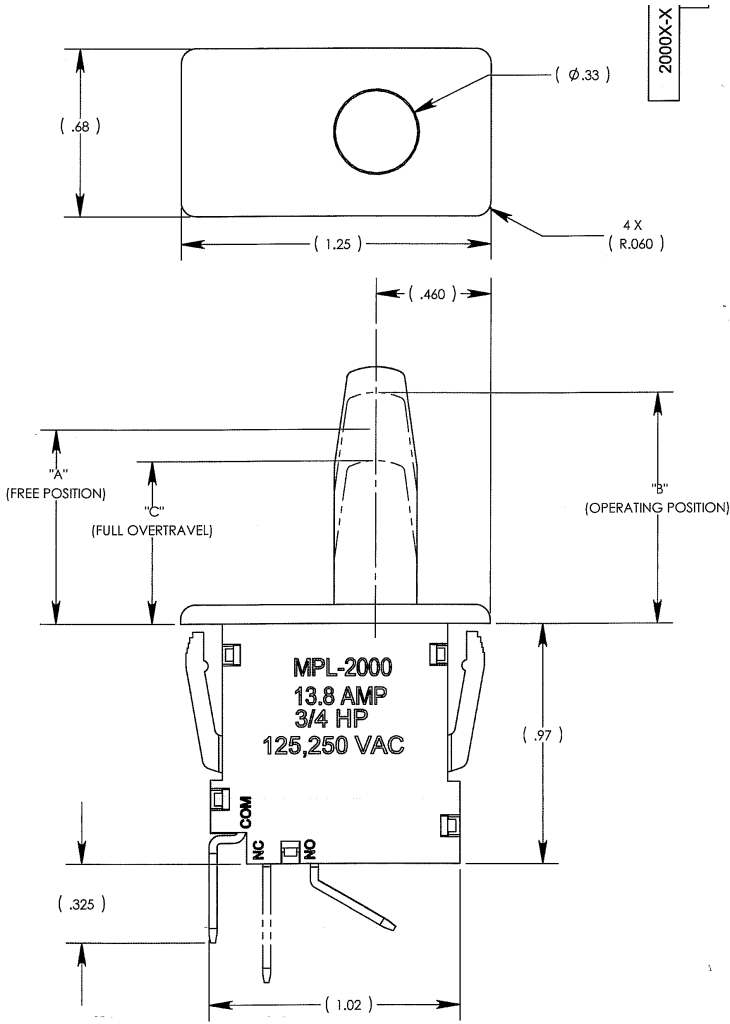
- Customer Engineered Solutions
- Wide Temperature Operating Range
- High Current Capable
- Snap Action
- Low Cost
- Historically Proven Reliability



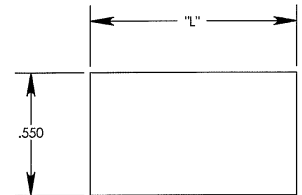
2000 Series

Standard Specifications

Mechanical	
Case	Thermoplastic
Terminals	Brass
Moving blad	Beryllium copper
Contacts	Silver cadmium oxide
Spring	Stainless steel
Electrical	
Temperature rating	-40°F to 185°F (-40°C to 85°C)
Flammability rating	UL94V-0
Agency	
UL File #	E213351



SUGGESTED MOUNTING HOLE DETAIL



L = 1.115 FOR .045 THICK WALL
L = 1.125 FOR .100 THICK WALL

